

V6 Weekly Programming Thermostat with LCD Screen

V6. Weekly Programming Thermostat with LCD Screen

Weekly circulation, it is possible to set 6 periods called events each day with different temperatures, also you can select "manual mode" or "temporary control mode" according to your individual requirements. The thermostat is recommended for the control of electric heating devices or on/off valve actuator used in water-based heating systems.

Selection Table:

Model	Current	Application
V6.713	3A	Built-in & floor sensor, floor limit sensor, period programming
V6.723	3A	Built-in & floor sensor, floor limit sensor, period programming, a potential- free output
V6.716	16A	Built-in & floor sensor, floor limit sensor, period programming
V6.703	3A	A pair of contacts for potential- free output

Technical data:

Voltage	: AC230V (AC110V/AC24V available)
Power consumption	: 2W
Setting range	: 5°C~90°C
Limitation range	: 5°C~99°C (factory setting: 35°C)
Switching differential	: 0.5°C~10°C (factory setting: ±1°C)
Ambient temperature	: -5°C~50°C
Protective housing	: IP20
Housing material	: self-extinguishing PC

Daily use of the thermostat

- 1) on/off "⏻"
- 2) In the manual mode, press "△" or "▽" to make temporary control.
- 3) Press "△" or "▽" to increase or decrease pre-set temperature.
- 4) Press "📖" and "△" and hold for 5 seconds at the same time to adjust time. Press "📖" to choose object to adjust; Press "△" or "▽" to increase or decrease your set values; Press "⏻" to confirm and exit.
- 5) Press the "📖" key to select manual mode or clock-controlled program mode.
- 6) It displays the time or the pre-set temperature alternately, and it displays the measured temperature directly.
- 7) When you press "△" and "▽" at the same time and hold for 5 seconds, the thermostat will be locked/unlocked. When it is locked, no operation can be carried out until it is unlocked.

Display symbols:

- 👉 Manual mode
- 🕒 Period control mode
- 🔥 Heating
- ☀ Getting up, the first period
- 🏠 Out in the morning, the second period
- 🏠 Going home at noon, the third period
- 🏠 Out in the afternoon, the fourth period
- 🏠 Going home in the evening, the fifth period
- 🌙 Sleeping at night, the sixth period

Period programming

Press "📖" and hold for 5s to enter the mode of Period programming.

Key	Period	Symbol	Time	△ ▽	Temperature	△ ▽
📖 👉	weekday	1	☀	start/end time Set the	20°C	Set programmed temperature
		2	🏠		15°C	
		3	🏠		15°C	
		4	🏠		15°C	
		5	🏠		22°C	
		6	🌙		15°C	

weeken	1	☀	08:00		22°C
	2	🌙	23:00		15°C

Advanced setting (qualified person preferred)

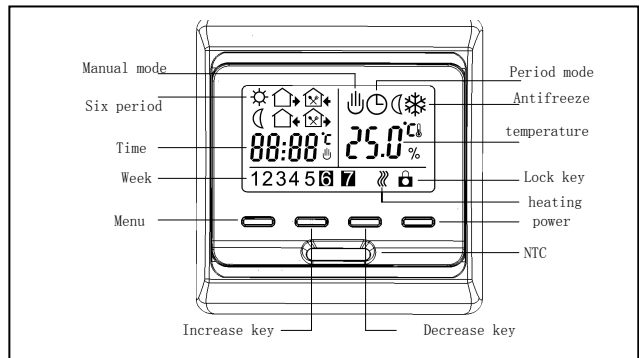
When the thermostat is turned off, You can press "📖" and turn on it at the same time, then you can enter the mode of advanced setting.

Symbol	Setting	Setting	△ or ▽
1	ADJ	Temperature calibration	Adjust measured temperature
2	SEN	Sensor mode	IN: built-in sensor OUT: floor sensor ALL: both sensors
3.	LIT	Limitation temperature	Adjust limitation value, Limitation range: 5°C~60°C
4	DIF	Switching differential	Adjust switching differential
5	LTP	Antifreeze function	Turn on/off Anti-frozen function
6	PRG	Set vacation mode	00: 5/2 day mode 01: 6/1 day mode 02: 7 day mode
7	RLE	Potential- free output and main power output in the same/different way	Change the present linkage way
8	DLY	Delay time of Potential- free output	Change linkage delay time
9	HIT	Max temperature	Limitation temperature setpoint
	AFAC	Reset to factory settings	Press "△" and hold for 5s, all parameters will be reset

Sensor failure:

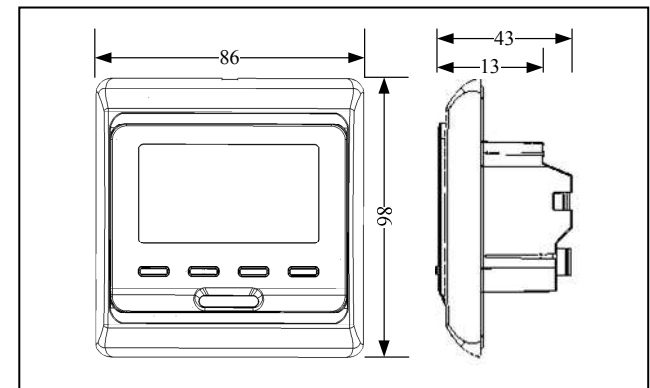
Please select the right sensor mode when operation, it will display the "Err" symbol on screen for sensor failure, thermostat must be checked till the fault is eliminated

Explanation of symbols:



Dimension:

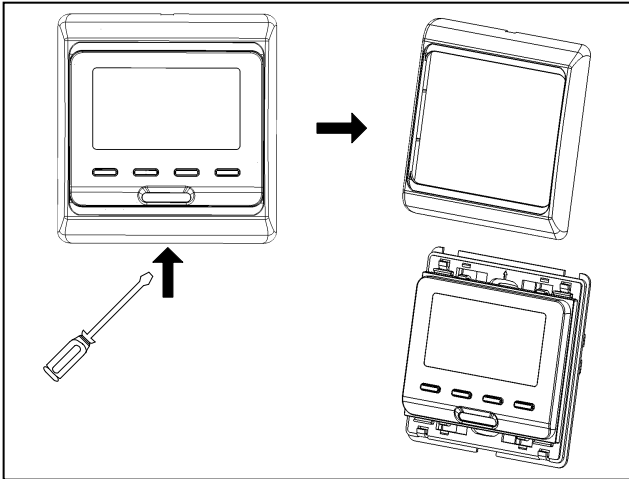
Unit: mm



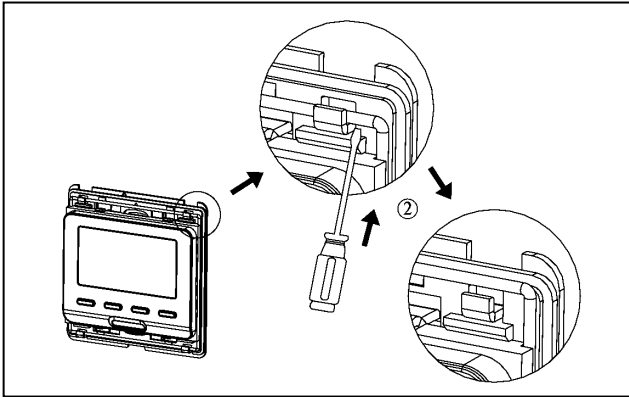
V6 Weekly Programming Thermostat with LCD Screen

Mounting steps:

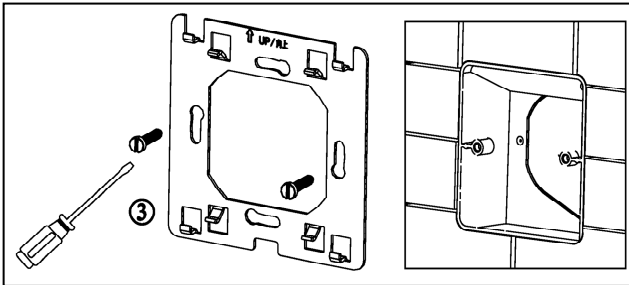
1. Release the front cover by inserting a screwdriver into bottom crack



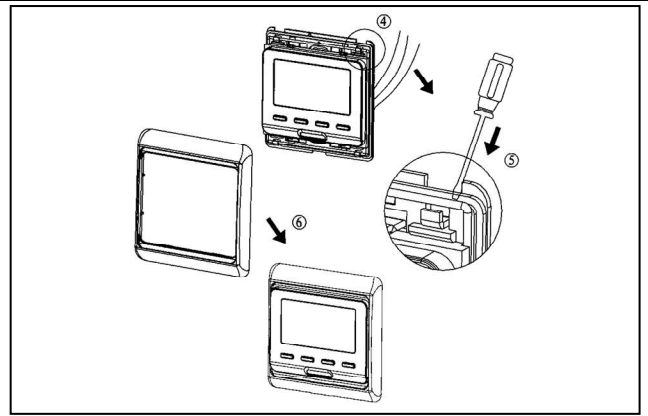
2. Taking the backing plate apart according to the following diagram



3. Mounted the backing plate in the wall socket by screwdriver



4. After connect wires, the thermostat mounted on the backing plate and remounted the cover and frame



Connection diagram

